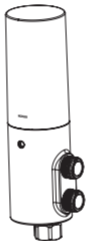


Installation Guide

安装使用说明书

Bidet Filter set
洁身滤芯套装
K-21038T-NA



科勒（中国）投资有限公司
中国上海市静安区江场三路 158 号 邮编：200436
制造商：上海科勒电子科技有限公司
中国上海市宝山区丰翔路 1955 号 邮编：200444

KOHLER®

CAUTIONS AND WARNINGS / 安全注意事项

- Risk of product damage. Water leakage may happen if the water pipe connector is pulled or pushed with excessive force.
产品损坏的危险。硬推、硬拉水管接头可能造成水渗漏。
- Risk of product damage. Do not install this product near objects of high temp., such as a bathroom heater.
产品损伤的危险。不要将本产品安装在浴霸等高温物体旁。
- Risk of product damage. Keep this product out of direct sunlight.
产品损伤的危险。不要将本产品安装在阳光直射处。
- Drinking water must be used. Do not use reclaimed water, recycled water, industrial water and sea water etc. non-drinking water. Otherwise it might cause skin inflammation or product damage.
本产品必须使用饮用自来水，严禁使用中水，再生水，工业用水，海水等非生活饮用水。否则可能导致皮肤炎症等或产品损坏。
- Before using the filter, make sure to rinse inlet water pipeline thoroughly and clear any foreign matter to avoid clogging.
过滤器使用前，一定要先彻底冲洗供水管以清除管道中的杂质，防止直接堵塞。

- For areas where water may freeze in pipes, maintain a proper temperature. Any water remaining in the product may freeze during winter. Please keep the product at room temperature before re-installation or usage.

在一些水可能在水管中结冰的地方，要做好水管保温的安排。任何留在产品里的水在冬天储存时都可能结冰。在重新安装或使用前请保证产品暖至室温。

- Before resuming use after an extended time, please wash it thoroughly.

如果长期搁置不用，当恢复使用时，要充分冲洗。

- Install this product properly according to the inlet and outlet directions.

本产品必须按照标示的进水和出水方向垂直正确安装。

WORKING PRINCIPLE / 工作原理

- This filter is designed to reduce heavy metals in washing water, such as residual chlorine, lead, and mercury.

本过滤器用于减少洁身用水中的余氯、铅、汞等重金属物质。

Note: Available only for smart toilets and smart bidet seats.

Not a replacement for a unit to purify drinking water.

注: 仅适用于智能座便器以及智能便盖，不可替代直饮水等净水设备。

SPECIFICATIONS / 规格

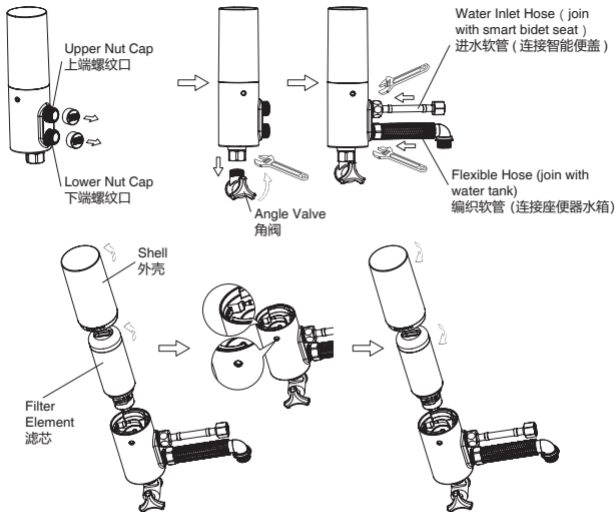
Water pressure	0.05 MPa (dynamic pressure) ~ 0.86 MPa
Operating environment	4-49°C
Inlet water temp	5-50°C
Filter element replacement cycle	6-12 months (Subject to water quality, replace the filter element when service life expires or washing water becomes notably less. Model No.: K-22760T-0).
进水压力	0.05 MPa (动压) ~ 0.86 MPa
环境温度	4-49°C
进水温度	5-50°C
滤芯更换周期	6-12 个月 (根据水质不同, 当滤芯使用寿命到期时或者发现清洗水量明显变小时, 请更换滤芯, 产品型号为: K-22760T-0)

FILTER INSTALLATION / 安装过滤器



- Attention!** 1. The hose connecting to the water tank as shown in this Guide should be purchased separately by the user.
2. Please connect pipes correctly as in illustrations to ensure proper functioning.
3. Before installation, make sure that the center of angle valve outlet is at least 20mm away from the wall.

- 注意!** 1. 本说明书中所示的连接座便器水箱的编织软管需要用户自行购买。
2. 请按照图示要求进行水管连接，避免接错，造成滤水器无法有效工作。
3. 产品安装前，请先确保角阀出水口中心距离墙端面至少20mm。



Scroll the time belt, adjust and set initial time, and record the replacement time for filter element.

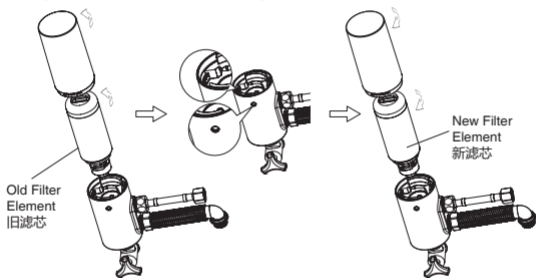
(Note: Figures indicate current filter installation/replacement month.)

拨动时间环, 调整设置初始时间, 记录滤芯更换日期。(注 数字表示当前安装过滤器/更换滤芯时的月份。)

FILTER ELEMENT REPLACEMENT / 更换滤芯

Replace the filter element when service life expires or the washing water becomes notably less (Model No.: K-22760T-0).

当滤芯使用寿命到期时或者发现清洗水量明显变小时，请更换滤芯（产品型号为：K-22760T-0）。



Replace the filter element, please scan the code directly and buy it in the mall:

更换滤芯请直接扫码进入商城购买:



CLEANING GUIDE / 清洗说明



Warning! Risk of superficial damage. Some cleansers, such as ammonia, cleaning powder, and toilet cleaner, may cause damage to the plating surface. Avoid using them.

警告! 外观损坏的危险。许多清洁剂，比如氨水、去污粉及洁厕灵等，会对电镀表面造成伤害，切忌使用。

- Clean the surface with mild, soapy water, and wipe the entire surface dry with a clean and soft cloth.

以中性肥皂水清洗表面，再以干净软布彻底擦干整个表面。